

TOSHIBA TRANSISTOR SILICON NPN TRIPLE DIFFUSED TYPE

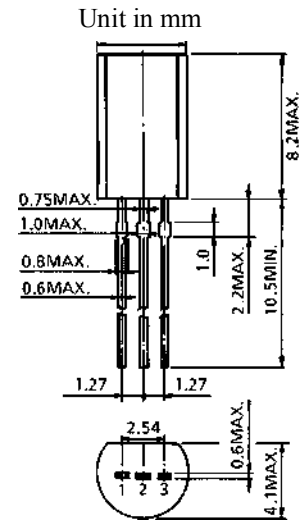
2SC2482

HIGH VOLTAGE SWITCHING AND AMPLIFIER APPLICATIONS. COLOR TV HORIZ. DRIVER APPLICATIONS. COLOR TV CHROMA OUTPUT APPLICATIONS.

- High Voltage : $V_{(BR)CEO} = 300V$
- Small Collector Output Capacitance : $C_{ob} = 3.0pF$ (Typ.)

MAXIMUM RATINGS ($T_a = 25^\circ C$)

CHARACTERISTIC	SYMBOL	RATING	UNIT
Collector-Base Voltage	VCBO	300	V
Collector-Emitter Voltage	VCEO	300	V
Emitter-Base Voltage	VEBO	7	V
Collector Current	i_c	100	mA
Base Current	IB	50	mA
Collector Power Dissipation	PC	900	mW
Junction Temperature	T_j	150	$^\circ C$
Storage Temperature Range	T_{stg}	-55-150	$^\circ C$



1. EMITTER
 2. COLLECTOR
 3. BASE
- TO-92MOD
2-5J1A

ELECTRICAL CHARACTERISTICS ($T_a = 25^\circ C$)

CHARACTERISTIC	SYMBOL	TEST CONDITION	MIN.	TYP.	MAX.	UNIT
Collector Cut-off Current	CBO	$V_{CB} = 240V, I_E = 0$	—	—	1.0	μA
Emitter Cut-off Current	EBO	$V_{EB} = 7V, I_C = 0$	—	—	1.0	μA
DC Current Gain	$h_{FE} (1)$	$V_{CE} = 10V, I_c = 4mA$	20	—	—	
	$h_{FE} (2)$	$V_{CE} = 10V, I_c = 20mA$	30	—	150	
Collector-Emitter Saturation Voltage	$V_{CE} (sat)$	$I_C = 10mA, I_B = 1mA$	—	—	1.0	V
Base-Emitter Saturation Voltage	$V_{BE} (sat)$	$I_C = 10mA, I_B = 1mA$	—	—	1.0	V
Transition Frequency	f_T	$V_{CE} = 10V, I_c = 20mA$	50	—	—	MHz
Collector Output Capacitance	C_{ob}	$V_{CB} = 20V, I_E = 0, f = 1MHz$	—	3.0	—	pF