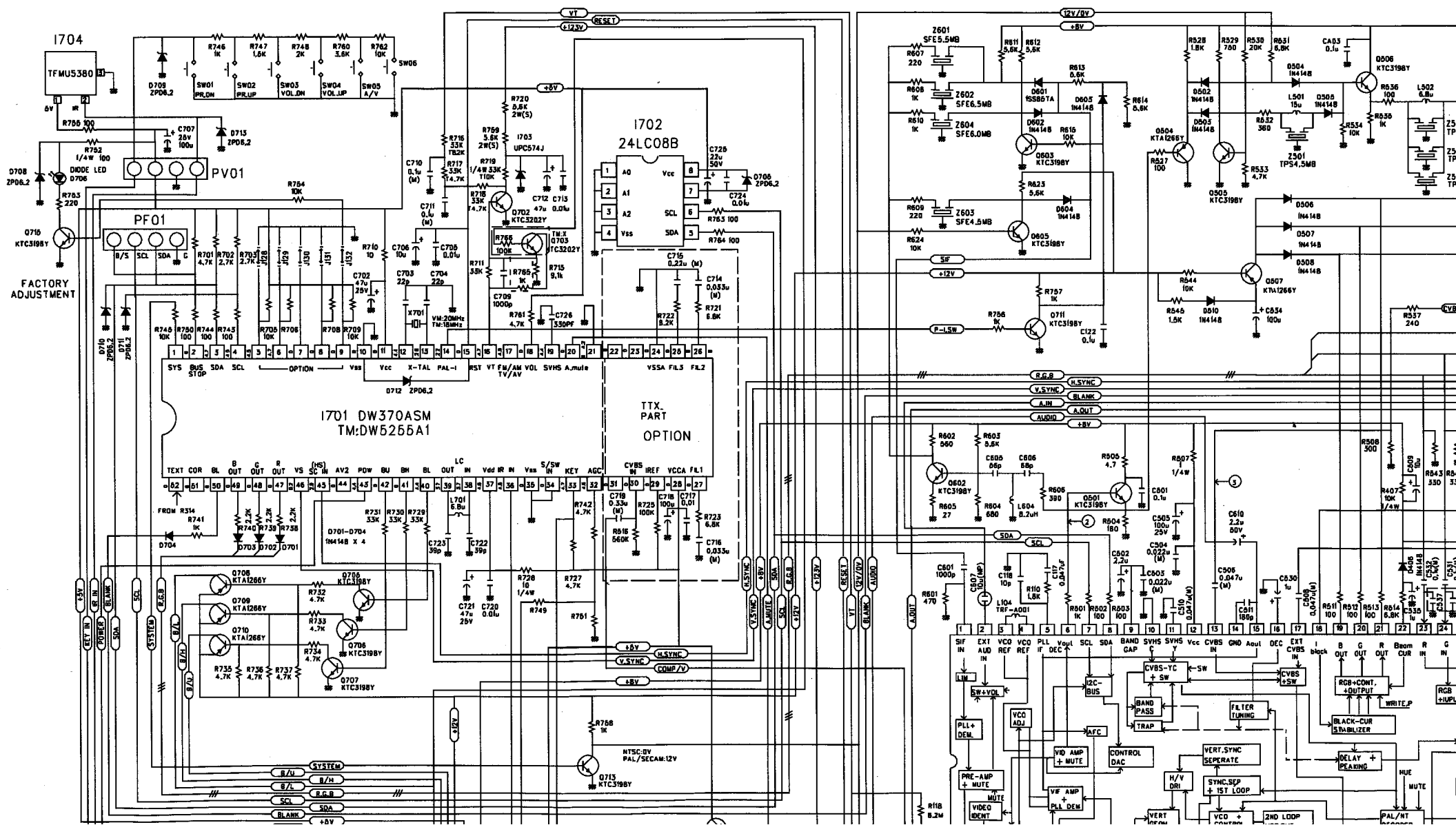
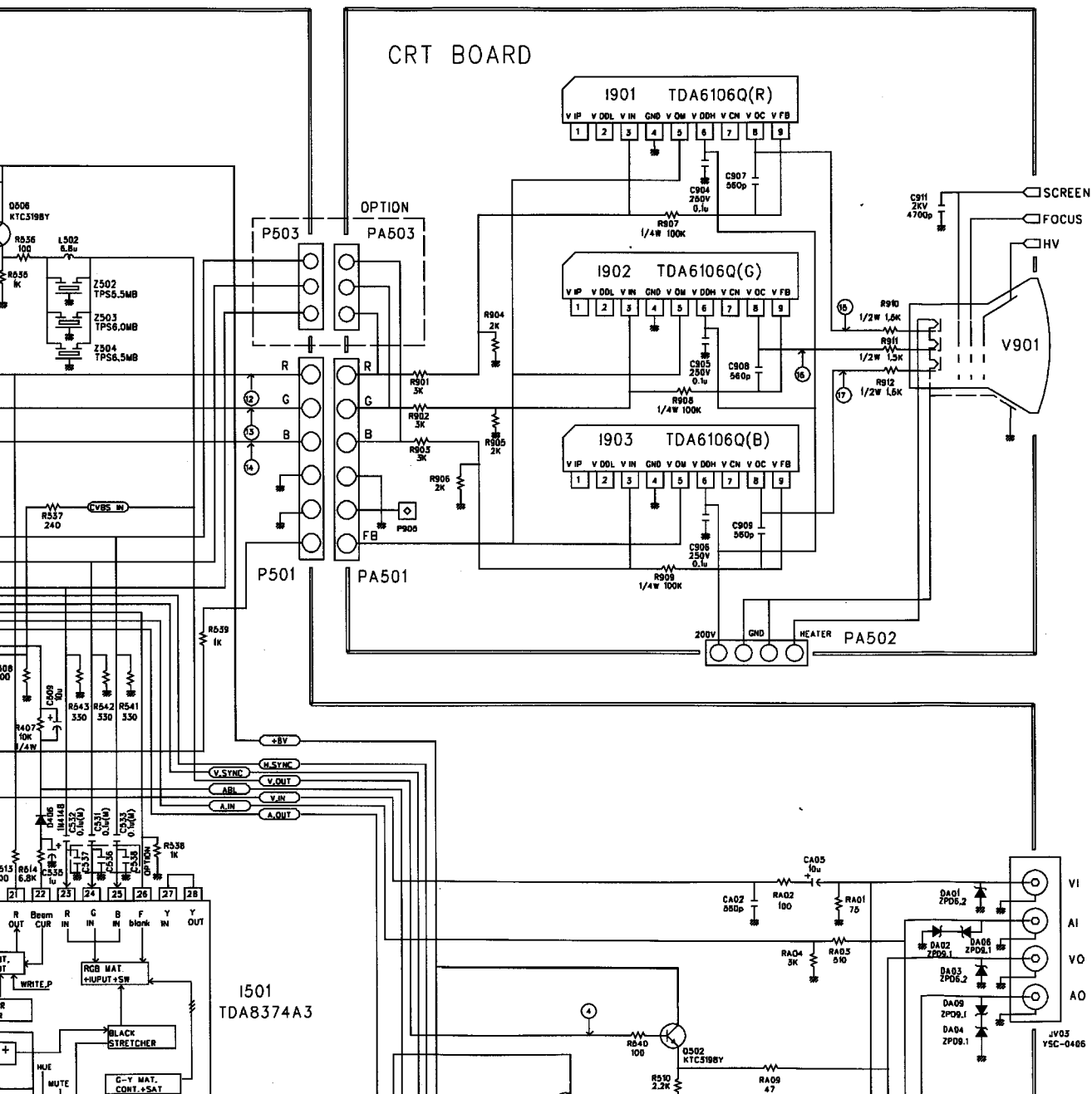


## CP-370 CHASSIS SCHEMATIC DIAGRAM VM.TM





**NOTE:**

1. RESISTANCE IS SHOWN IN OHM. K=1000, M=1000000
2. UNLESS OTHERWISE NOTED IN SCHEMATIC ALL CAPACITOR VALUES ARE EXPRESSED IN  $\mu$ F
3. VOLTAGES READ WITH "VTVM" FROM POINT INDICATED TO CHASSIS GROUND USING A COLOR BAR SIGNAL WITH ALL CONTROLS AT NORMAL LINE 230V AC VOLTAGE READINGS SHOWN ARE NORMAL VALUES AND MAY VARY +20% EXCEPT H.V
4. THIS CIRCUIT DIAGRAM IS A STANDARD ONE CIRCUIT PRINTED MAY BE SUBJECT TO CHANGE FOR PRODUCT IMPROVEMENT WITHOUT PRIOR NOTICE

**SAFETY CAUTION:**

BEFORE SERVICING THIS CHASSIS IT IS IMPORTANT THAT THE SERVICE TECHNICIAN READ AND FOLLOW THE "X-RAY RADIATION PRECAUTION", "SAFETY -PRECAUTIONS" AND "PRODUCT SAFETY NOTICE" IN THE SERVICE MANUAL

**PRODUCT SAFETY NOTE:**

COMPONENTS MARKED WITH  $\Delta$  ARE IMPORTANT FOR MAINTAINING THE SAFETY OF THE SET AND SHOULD BE REPLACED ONLY WITH TYPES IDENTICAL TO THOSE IN THE ORIGINAL OR SPECIFIED ONE IN THE PARTS LIST. DON'T DEGRADE THE SAFETY OF THE SET THROUGH IMPROPER SERVICING.

**RESISTOR**

CARBON FILM	$\sim$
CARBON COMP	$\sim$ (CC)
FUSIBLE	$\sim$ (F)
CEMENT	$\sim$ (C)

**CAPACITOR**

ELECTRO	$\sim$ (E)
CERAMIC	- + (CC)
CERAMIC CH	- + (CH)
ELECTRO NONPOLAR	$\sim$ (NP)
MYLAR	- + (M)

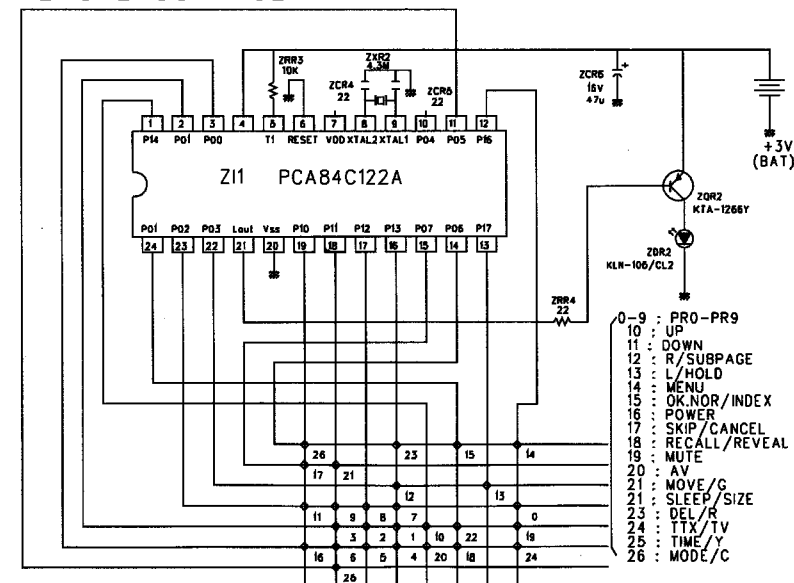
**COIL**

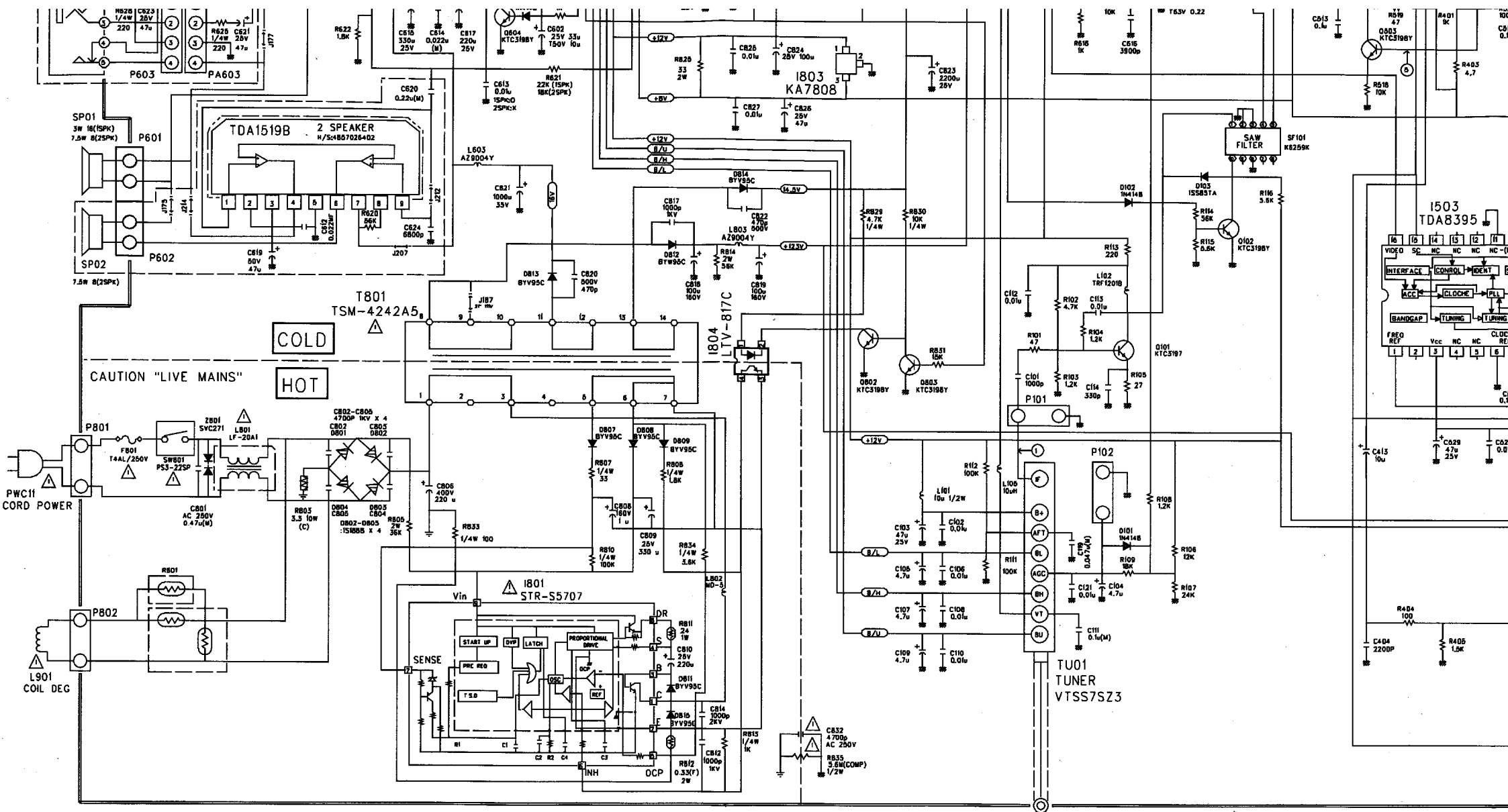
PEAKING	$\sim$
CHOKE	$\sim$ (C)
BEAD	$\sim$ (B)

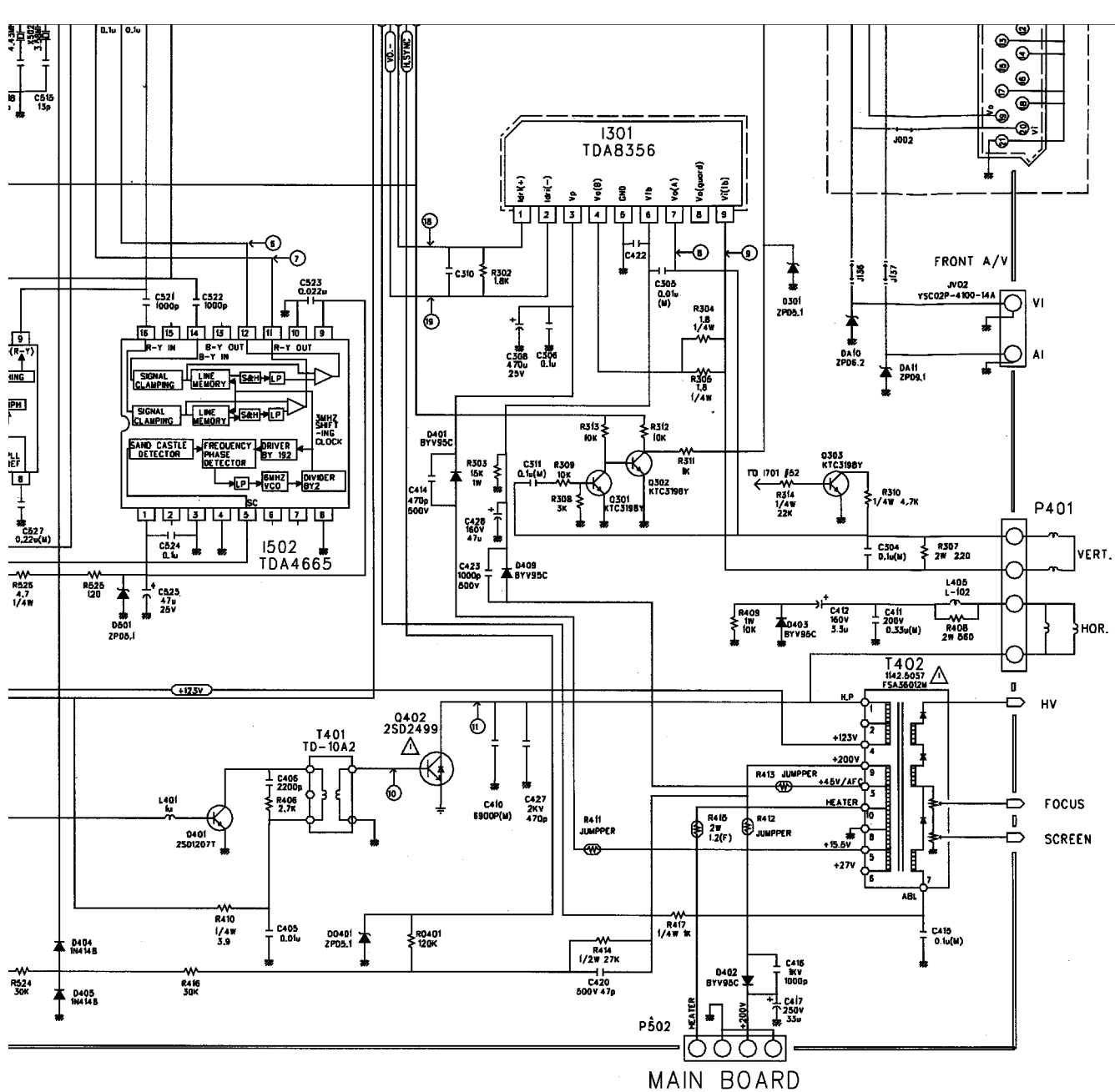
**1701(VM/TM)**

DW37DASH	1.(WITHOUT TEXT)
DWS255A(T)	SIEMENS(WITH TEXT)

**REMOTE CONTROL**







MAIN BOARD

4	C411	200V 0.33uF	200V 0.36uF	200V 0.30uF
5	R302	1/6W 1.8K	1/6W 2.2K	1/6W 2.4K
6	R407	1/4W 10K	1/4W 8.2K	1/4W 7.5K
7	R415	1W 1.2 (F)	1W 2.2 (F)	1W 1.2 (F)
8	R834	1/4W 3.6K	1/4W 3.3K	1/4W 3.3K
9	J187	-	-	-
10	J218	WIRE COPPER	WIRE COPPER	-
11	GND AS	1401H-1015-1P	2001H-1015-1P	2101H-1015-1P
12	P401	YFW500-05	YFW500-05	YFW500-06
13				
14				
15				
16				
17				
18				
19				
20				

\* WAVE FORMS

VIDEO :8 STEP PAL COLOR BAR 87.5% AM  
AUDIO :1KHz SINE WAVE 60% FM

